

CURRENT TRANSFORMERS (0.1A SECONDARY)

**0.3% Metering Class
Low Cost**

FEATURES

- 0.1%, 0.2%, 0.5% standard accuracy.
- Secondary open-circuit voltage limited to less than 8.0Vac.

APPLICATIONS

- For use with any indicating device or ammeter requiring 0.1A input.
- Ideal for use with watt transducers, current transducers, and energy management systems.



MODEL SELECTION

MODEL	INPUT AC AMPS	CURRENT RATIO
21279	100	1000:1
21280	200	2000:1
21281	400	4000:1

For use over insulated conductors only.

SPECIFICATIONS

INPUT

Current See Table
Over-current (without damage) 2X Rating
Frequency Range 57-63Hz

OUTPUT

Type 0-0.1Aac
Burden 0.1VA

ACCURACY 0.3% Metering Class

TEMPERATURE

Operating Range -10°C to 55°C

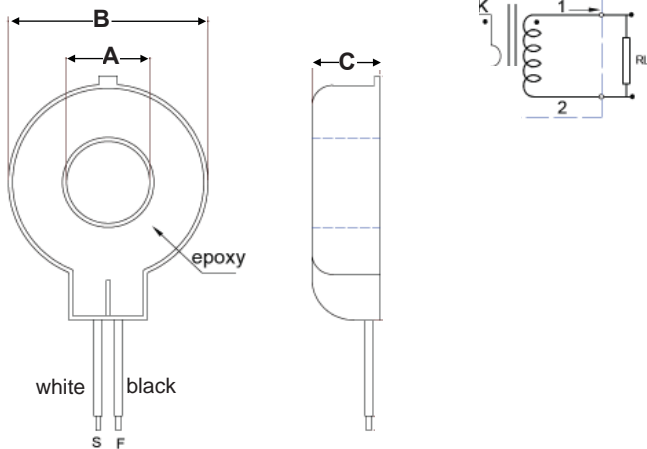
PHYSICAL

Termination 72", 16AWG
(X1) White
(X2) Black

CASE DIMENSIONS

MODEL	SENSOR DIMENSIONS (inches)			WEIGHT
	A	B	C	
21279	0.762	1.862	0.647	2.12 oz.
21280	0.762	1.862	0.647	2.12 oz.
21281	1.573	3.55	1.107	10.23 oz.

21279 & 21280



1. Primary current direction from K to L
2. Secondary current directions from S(1) to F(2)
3. RL Output load resistance

21281

